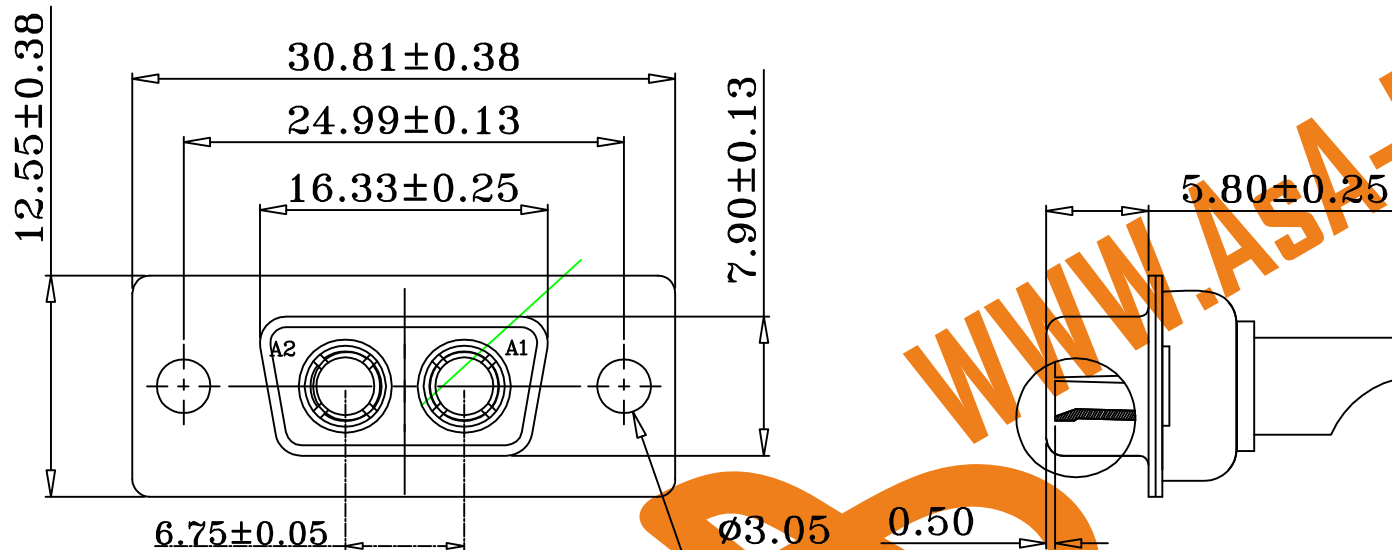


POWER D-SUB 2W2 SOLDER CUP-FEMALE

ROHS COMPLIANT



SPECIFICATIONS:
 ELECTRICAL:
 INSULATOR RESISTANCE: 5,000 MegOHMS Min.
 DIELECTRIC WITHSTANDING: 1,000 VAC r.m.s.
 OPERATING TEMPERATURE: $-55^{\circ}\text{C} \sim +125^{\circ}\text{C}$
 CONTACT RESISTANCE: 30 MILLIOHMS Max.
 POWER PINS: SEE PART No. BELOW

MECHANICAL:
 CONTACT INSERTION FORCE: 4.5kg Max
 CONTACT SEPARATOR FORCE: 0.3kg Min
 MATERIALS:
 CONTACTS: BRASS
 INSULATOR: PBT UL94V-0 RATED,
 230°C PROCESS TEMP.

SHELL: STEEL
FINISH: NICKEL

Ordering Code:

PDB2W2	-F	-G0	-B	-20	-00
①	②	③	④	⑤	⑥

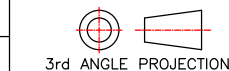
- ① Series
- ② Contact Type:
M:Male F:Female
- ③ Contact NO. :
G0: Gold flash G1: 3u" Gold
G2: 5u" Gold G3: 10u" Gold
G4: 15u" Gold G5: 30u" Gold
- ④ Insulation Color Code:
B:Black L:Blue
W:White
- ⑤ Power AMP:
10 = 10AMPS; 20 = 20AMPS;
30 = 30AMPS; 40 = 40AMPS;
- ⑥ Series no

Unless Otherwise specified tolerance
 X. ± 0.35
 X.X: ± 0.25
 X.XX: ± 0.20
 X.XXX: ± 0.15

SCALE: 2:1 UNIT: mm

DRAWN: junfon H

CHECKED: YANG



WWW.AsA-Elec.com
AsA Electronic Co.
 Tel: (+98) 21 66 73 56 82 Mob: (+98) 912 03 161 02

TITLE:
POWER D-SUB 2W2 SOLDER CUP-FEMALE

DRAWING NO: PDB2W2-FXXXXX00

PRODUCT NO: PDB2W2-FXXXXX00

Add option of plating

10-08-28

REV

DESCRIPTION

DATE

1

2

3

4

5

6

7

8